

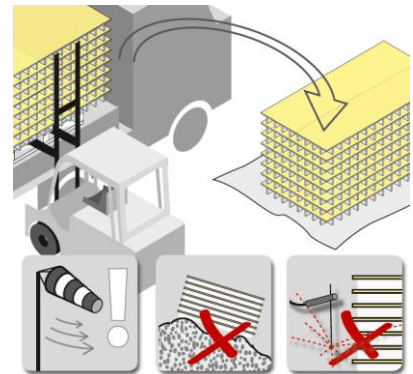
Site Handling and Installation Details

Pecavoid[®]

Ground Heave Solution

1. Delivery, Handling and Storage

- 1.1 Each Pecavoid panel carries a label bearing details of product type, overall depth, grade and sheet width (see overleaf, section 4).
- 1.2 Due to the fragile nature of the product, care must be taken when off-loading all Pecavoid panels. MAX FRANK recommend that all materials are carefully off-loaded by hand or by fork-lift truck.
- 1.3 MAX FRANK recommend that all Pecavoid panels should be stored internally, organised by specific product grades. Alternatively set aside in a secure and sheltered location upon a flat level surface. Ensure that storage areas are not located close to sources of ignition, such as welding sparks or angle grinders.
- 1.4 All panels must be stored horizontally (flat) and weighed down to protect the product from damage by high winds and extreme weather conditions.
Do not store the product vertically (on its side).
- 1.5 All Pecavoid products should be visually inspected prior to off-loading and inspected again before installation. Any damaged units should be assessed for repair and, where possible, remove all areas of damage prior to installation or new materials must be re-ordered.



2. Installation

During the installation of Pecavoid panels, adequate on-site supervision must be maintained at all times. If required, MAX FRANK product specialists can visit site and discuss recommended installation methods. The product is designed to be fragile, therefore normal precautions for handling general expanded polystyrene materials should be adhered to.

2.1 Ground Preparation

All reduced site levels should be level and flat, free from high spots and evenly compacted using a concrete blinding. This is to ensure that the legs of the Pecavoid are not placed under undue stress. Pecavoid must be placed with the yellow plastic board facing upward and with the EPS cellular legs below.

2.2 Walking Boards for Trafficking & Laying Reinforcement

To avoid damage, **do not** step on the edges of the Pecavoid units. During construction, **walking boards are recommended** to transfer working loads more evenly, reducing any imposed loads directly on the panel, which could cause potential damage to Pecavoid units.

2.3 Grade Identification

All panels are labelled by Pecavoid type, grade and depth – select the correct grade required;

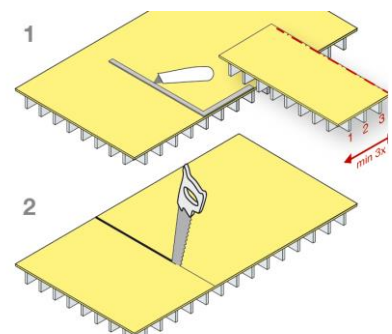
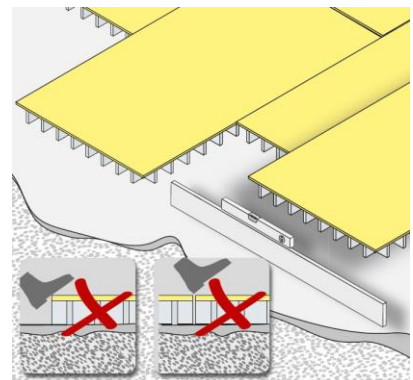
Types RD+/CS: solid polystyrene top panel with yellow polypropylene sheet for use beneath slabs.

Types RDS/CL: 10mm polypropylene top sheet for use beneath slabs.

Types RDB/CB: 4.5mm polypropylene sheet for use beneath beams and pile caps.

2.4 Cutting

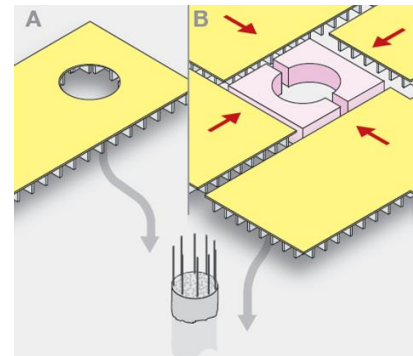
Pecavoid panels (types RDB/CB) can be supplied to any width, ranging from 300mm to 1200mm. All other types are supplied as full sheets and can be cut on-site if required. **Any necessary cutting should be kept to a minimum** and it is advised that cutting is carried out using an insulation saw to cut the EPS legs and a sharp knife to cut the yellow polypropylene top. It is recommended that Pecavoid should have at least three legs in each direction to remain structurally sound.



Continued...

2.5 Pile Locations

Piles should project above the Pecavoid to the Engineer's specification. A tight fit around piles is essential – this can be best achieved with the use of MAX FRANK pile collars (see Fig. B). Pile collars should be supplied at the same depth as the Pecavoid® product. The Pecavoid panels should join the square edge of the pile collar, at a level height, with minimal cutting. Alternatively, if no pile collar is used, the panel can be cut around the pile and should be sealed securely (as shown in Fig. A).

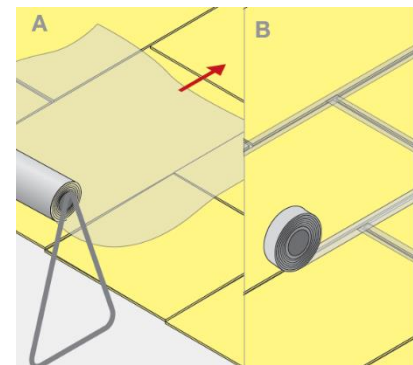


2.6 Sealing Joints

It is essential that wet concrete grout is retained and not allowed to fill the voids. The joints between panels should be sealed with formwork tape (Fig. B) or a DPM (Damp Proof Membrane) layer, placed on top of the Pecavoid:

2.6.1 Membrane Installation:

If installing a DPM or any membrane over the Pecavoid boards, MAX FRANK recommend it should be placed on an A frame, located off the Pecavoid boards (Fig. A). The membrane can be rolled out over the Pecavoid and cut to length (see section 2.2 ref. walking boards). The A frame can then be repositioned and the process repeated. Any laps or manufacturers sealing recommendations for the membrane should be taken into account during this process.



Close inspection for gaps around piles and side formwork should be carried out before concreting.

3. Additional Loads & Concrete Pour

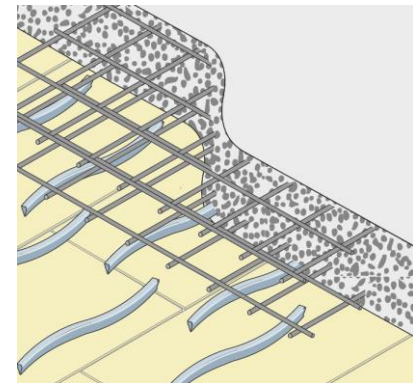
3.1 Spacers: MAX FRANK recommend the use of linear fibre concrete spacers to help achieve adequate load spread from the reinforcement cage and site traffic. It is recommended that three 1m long fibre concrete spacers are used per m² of Pecavoid. Each spacer should be divided up into three equal lengths and evenly distributed over the m² area in a staggered format (as outlined in BS 7973).

3.2 Do not stack reinforcement or stockpile material on top of the Pecavoid. Pecavoid types RDS/CL and RD+/CS are designed to resist nominal foot traffic during the construction process (see section 2.2 ref. walking boards). Pecavoid® Types RDB/CB are designed to accommodate the placement of beam or pile cages only.

3.3 Where heavy reinforcement is designed, consider a 50mm concrete topping to the Pecavoid panels. This would dissipate and localise point loads. However, the Pecavoid grade must be adequate to take the additional 50mm concrete load.

3.4 Avoid surplus loads when pouring concrete. If a pump or skip is used, it must not be placed directly on the Pecavoid product – unless the Structural Engineer has deemed the material of suitable strength to resist the load. Pumps and skips should be kept as close to the slab reinforcement as possible.

3.5 All concrete should be placed with care to avoid overloading of the Pecavoid panels.



Always consult MAX FRANK directly when using below the water table or on gas contaminated land, including; carbon dioxide, methane, hydrocarbon vapour and radon gas areas. MAX FRANK can provide further solutions, suitable for use in these hazardous conditions. **Remember the safe load is the maximum load.** The above instructions must be followed to ensure the successful installation of Pecavoid cellular void former. Any deviation from these guidelines will have a direct effect on the performance of the product. It is the customer's responsibility to ensure Pecavoid is suitable for a specific application - should you have any doubt or questions please contact our Technical Team on (01782) 598041.

4. Product label explained:

pecavoid[®]

Sheet Type RD+/CS, RDS/CL or RDB/CB Sheet depth Safe load Failure load

UKVFRDB1551319-D

Pecavoid[®] grade

600 WIDE

Sheet width



xxxx/xx/xx

Date of manufacture



BBA APPROVAL
INSPECTION
TESTING
CERTIFICATION
CERTIFICATE No 12/4923

Max Frank Ltd. | Clough Street, Hanley, Stoke-on-Trent, ST1 4AF
Tel. 01782 598041 info@maxfrank.co.uk www.maxfrank.com