

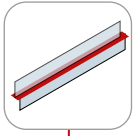
BUILDING
COMMON GROUND



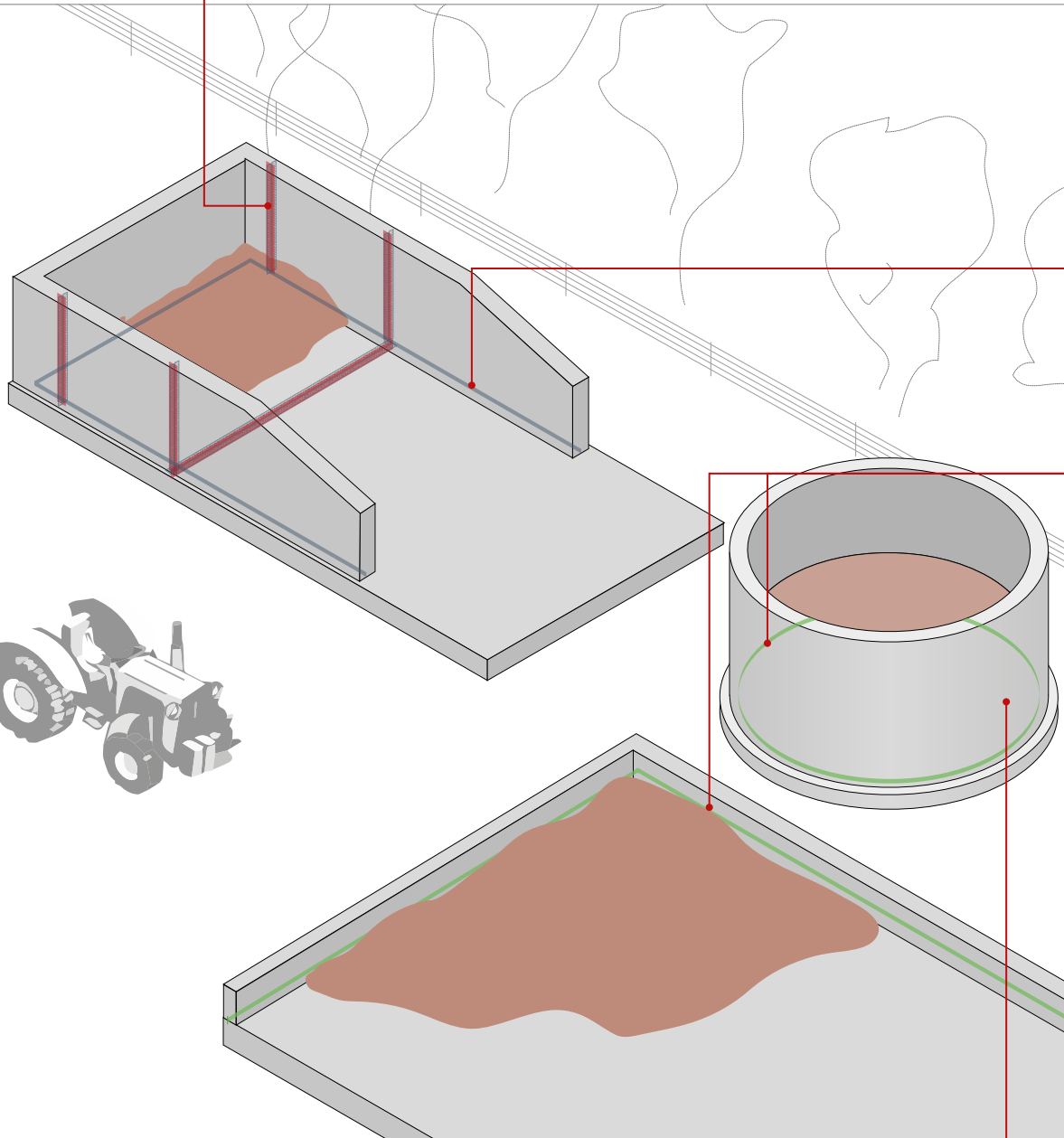
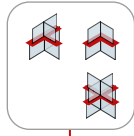
Fradiflex[®] metal water- stop

Joint waterproofing for
agriculture constructions

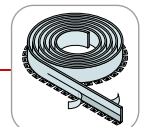
Stremaform® stay-in-place formwork for working joints



Stremaform® modular system



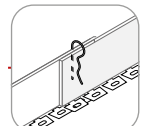
Fradiflex® Premium, roll with fixing angle



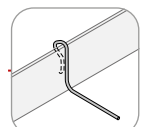
Fradiflex® INOX, roll with fixing angle



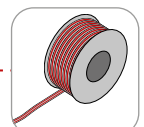
Fradiflex® JGS, roll without fixing angle



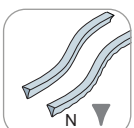
Fradiflex® clamping bracket



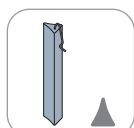
Fradiflex® mounting clip



Intec® injection hose system



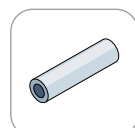
Bar spacer type "Snake N"



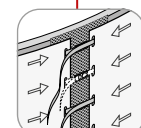
Triangular concave bar spacers with hook clip



Fibre concrete block spacers



Fibre concrete distance tubes



Zemdrain® Classic pre-assembled

Primary sealant

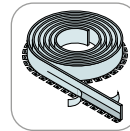
Fradiflex® metal water-stop



Fradiflex® Premium, roll with fixing angle

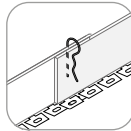


Fradiflex® JGS, roll without fixing angle

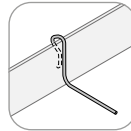


Fradiflex® INOX, roll with fixing angle

Fradiflex® metal water-stop - components



Fradiflex® clamping bracket



Fradiflex® mounting clip

Secondary sealant

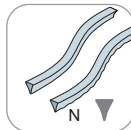
Intec® injection hose system



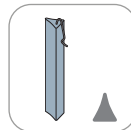
Intec® injection hose system

Other products

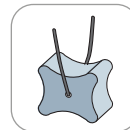
Spacers



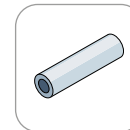
Bar spacer type "Snake N"



Triangular concave bar spacers with hook clip

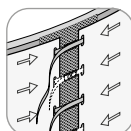


Fibre concrete block spacers

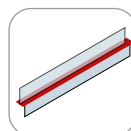


Fibre concrete distance tubes

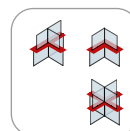
Formwork technologies



Zemdrain® Classic pre-assembled



Stremaform® stay-in-place formwork for working joints



Stremaform® modular system

Product variants

Fradiflex® Premium metal waterstop





Joint waterproofing for waterproof concrete structures

- Area of application: Components, ceilings and roofs in building and commercial construction
- Can be installed directly on the upper reinforcement layer
- You can order a roll or straight elements
- Available with or without fixing bracket
- Clamping brackets are supplied as accessories



Fradiflex® Premium metal waterstop

WG: 169

	Description	Item No.	Length m	Height mm	Packaging unit Pcs	Weight kg/package unit	Pallet content Packaging unit
	Fradiflex® Premium metal waterstop with fixing angle, incl. 2 clamping brackets	FFBRZ152500BW	25.00	150	1	21.00	36
	Fradiflex® Premium metal waterstop without fixing angle, incl. 2 clamping brackets	FFBRZ152500 FFBRZ082500	25.00 25.00	150 80	1 2	19.00 21.50	36 18
	Fradiflex® Premium metal waterstop, straight, with fixing angle, incl. 58 clamping brackets	FFBGZ150210BW	2.10	150	50	105.00	10
	Fradiflex® Premium metal waterstop, straight, without fixing angle, incl. 58 clamping brackets per pack	FFBGZ150210 FFBGZ080210	2.10 2.10	150 80	50 50	100.80 46.35	10 10

Fractional quantities are not possible.

Proof of usability

CE marking according to European Technical Assessment (ETA)

The ETA (European Technical Assessment) is a product performance assessment on European level that leads to CE marking. The product properties and the product performance are defined in the ETA and are confirmed by the manufacturer in the Declaration of Performance (DoP). To receive and to maintain an ETA, comprehensive tests and ongoing quality control are necessary - to ensure highest product quality.



Proof of usability

Ü-mark according to a German national test certificate for a construction product (allgemeines bauaufsichtliches Prüfzeugnis abP)

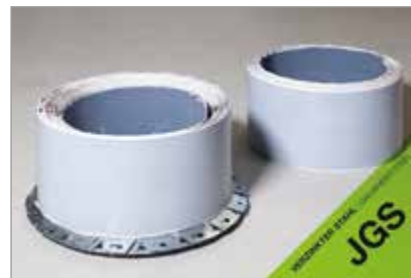
The German National test certificate for a construction product is a verification of fitness for use according to German Standards, which declares product properties and product performance. The construction product is then to be marked with the Ü-mark. Comprehensive tests and verifications guarantee a product which is ideally suited to the requirements.



Fradiflex® JGS metal waterstop


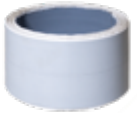
Joint waterproofing for agriculture constructions

- Scope of application: tanks, stable structures and solid manure plates
- Galvanized steel sheet with double-sided special coating
- Available with or without fixing bracket
- Clamping brackets are supplied as accessories
- Approval for up to 8 m filling height
- National technical approval (abZ)



Fradiflex® JGS metal waterstop

WG: 169

	Description	Item No.	Length m	Height mm	Packaging unit Pcs	Weight kg/packag- ing unit	Pallet content Packaging unit
	Fradiflex® JGS metal waterstop with fixing angle, incl. 2 clamping brackets	FFBRZ151500BW-JGS	15.00	150	1	21.00	36
	Fradiflex® JGS metal waterstop without fixing angle, incl. 2 clamping brackets	FFBRZ151500JGS	15.00	150	1	19.00	36

Fradiflex® INOX metal waterstop



Joint waterproofing for aggressive substances and agriculture constructions

- Scope of application: Driving silo (abZ), chlorinated water and salt water
- Stainless steel metal with double-sided special coating
- Available with or without fixing bracket
- Clamping brackets are supplied as accessories
- Approval for up to 8 m filling height
- National technical approval (abZ)



Fradiflex® INOX metal waterstop

WG: 169

	Description	Item No.	Length m	Height mm	Packaging unit Pcs	Weight kg/packag- ing unit	Pallet content Packaging unit
	Fradiflex® INOX metal waterstop with fixing angle, incl. 2 clamping brackets	FFBRZ151500BWI-INOX	15.00	150	1	21.00	36
	Fradiflex® INOX Fugenblech metal waterstop without fixing angle, incl. 2 clamping brackets	FFBRZ151500INOX	15.00	150	1	19.00	32

Ü-mark according to a German national approval for a construction product (abZ)

The German National test certificate for a construction product is a verification of fitness for use according to German Standards, which declares product properties and product performance. The construction product is then to be marked with the Ü-mark. Comprehensive tests and verifications guarantee a product which is ideally suited to the requirements.

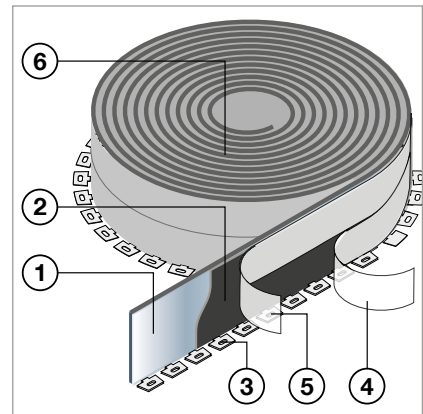


Technical Information

Product structure

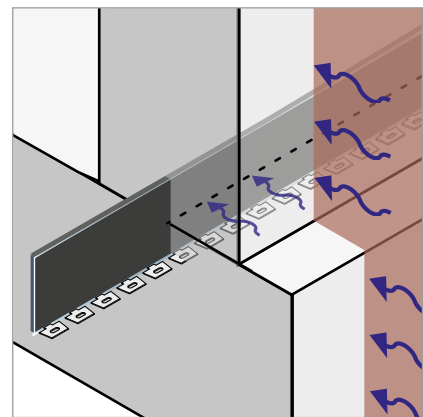
Fradiflex® is a coated metal waterstop for sealing construction and predetermined crack joints in concrete construction. The advantages result from the practice-oriented structure:

1. Galvanized steel sheet (thickness 0.6 mm) or stainless steel sheet (0.5 mm)
2. Special coating based on thermoplastic elastomer
3. Integrated mounting brackets for easy installation
4. Split protective foil (can be peeled off separately for 1st and 2nd construction stage)
5. Upper foil strip as protection against soiling for 2nd construction stage
6. Joint sheet roll for minimum number of joints



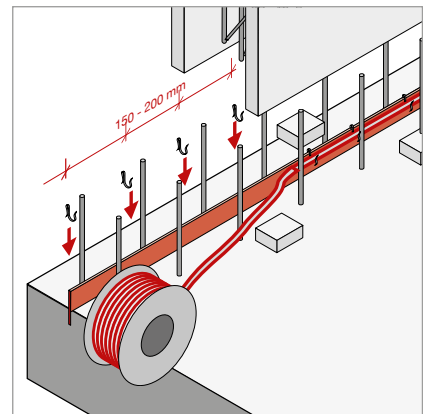
Functionality

Fradiflex® metal waterstop already bonds with the fresh concrete due to the adhesive coating, the metal waterstop blocks the passage of water in the joint. The special coating prevents a water-bearing gap from forming between the concrete and the metal waterstop. At the same time, the coating additionally protects the metal waterstop from chemical influences (e.g. from contaminated groundwater).

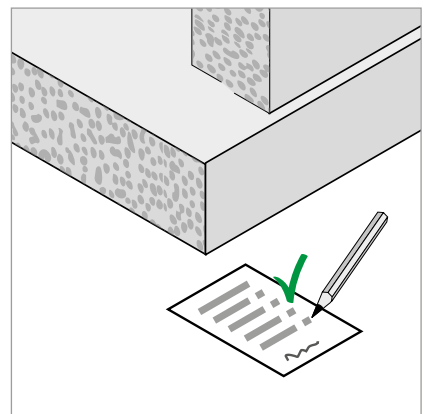
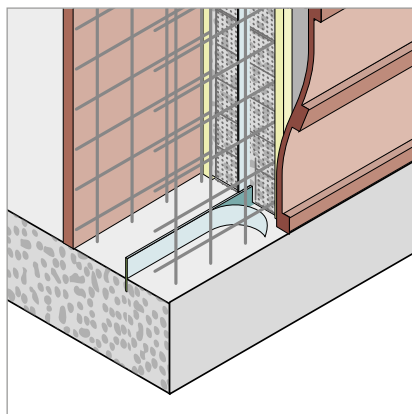
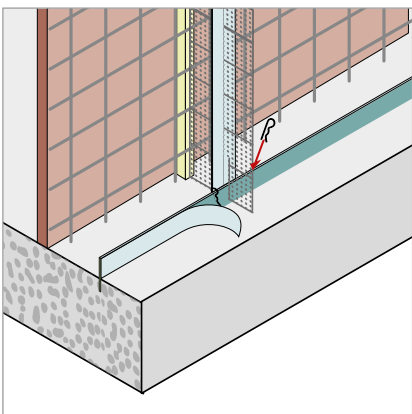
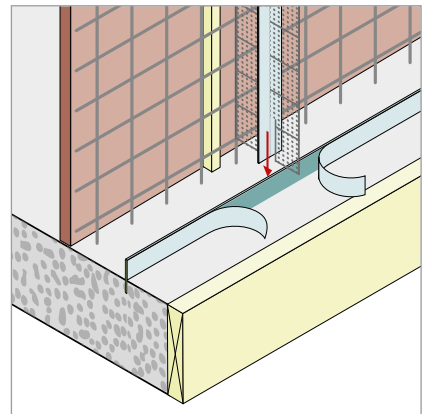
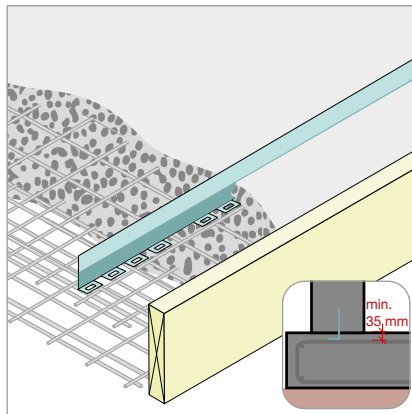
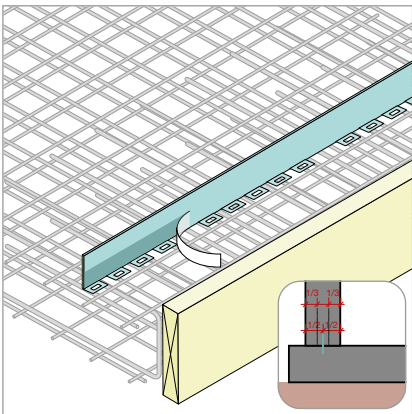
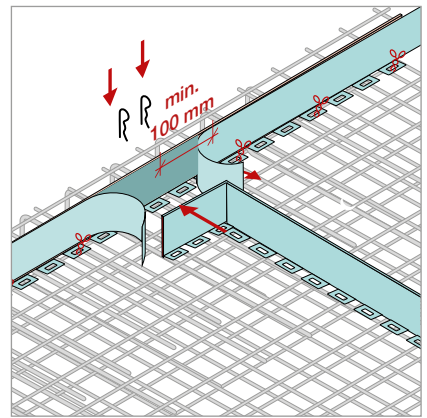
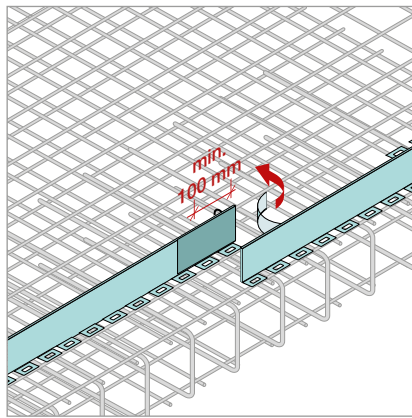
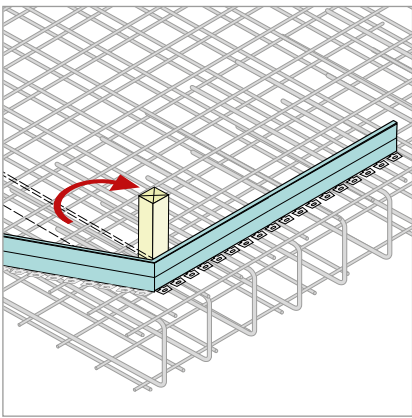
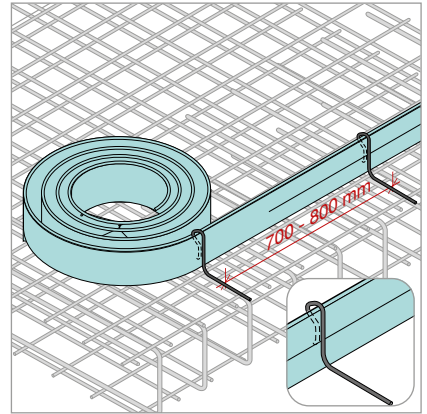
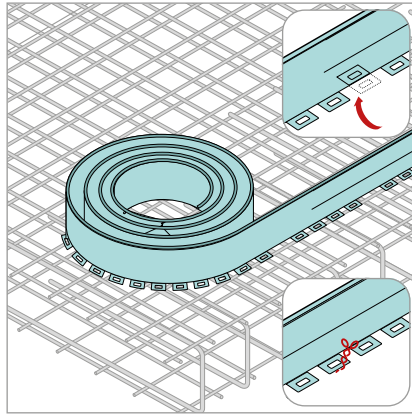
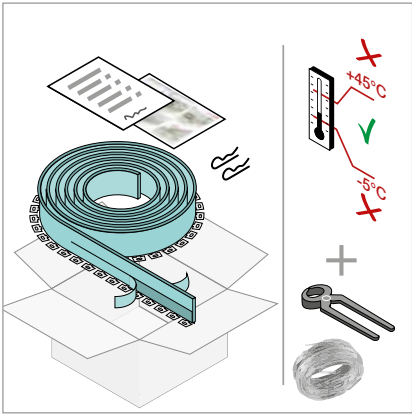


Injection hose as secondary seal for joint waterproofing with coated metal waterstop

Coated metal waterstops have proven themselves over many years as reliable joint waterproofing in construction. However, if the risk of joint leaks remains high, a subsequent securing system should be fitted, even in new buildings. Installing an injection hose allows the concrete joints to be injected at a later point and resealed accordingly.



Instructions of use





MAX FRANK Group

Headquarters:
Max Frank GmbH & Co. KG
Mitterweg 1
94339 Leiblfing
Germany

www.maxfrank.com

