

BUILDING
COMMON GROUND



Tubbox®

Column formers

www.maxfrank.com



MAX FRANK

BUILDING
COMMON GROUND

Tubbox[®]

Column formers



Tubbox® column formers

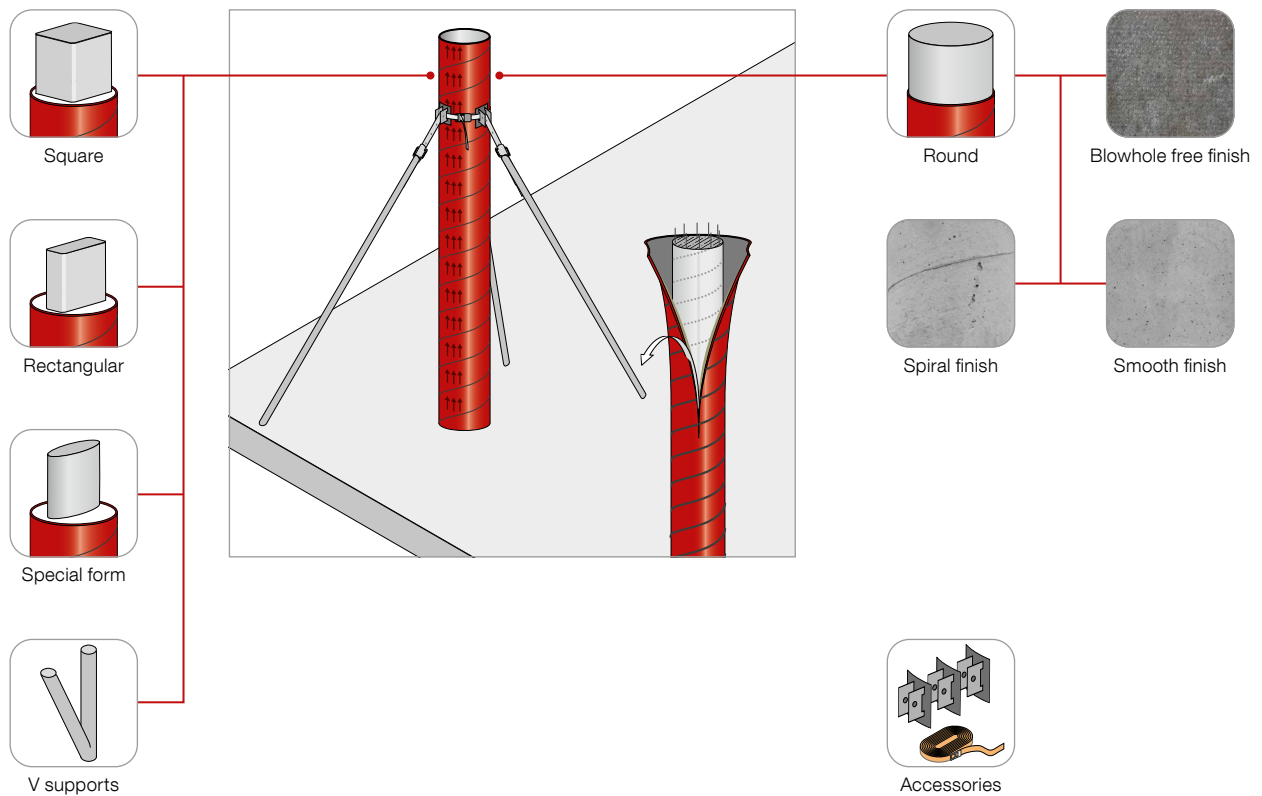
Formwork for concrete columns

Concrete columns can be produced in different geometries and surface qualities with Tubbox® column formers. They are a time-saving and cost-effective alternative to conventional column formwork.

The disposable cardboard column formers are equipped with a ripcord for easier demoulding.

★ Advantages

- Fast set up and stripping accelerates construction
- Easy and handy for transport and installation
- Eliminates time and costs of cleaning and return transport
- Several columns can be produced in one concreting day
- No concrete release agent required



Product variants

Tubbox® column formers – angular

for square and rectangular columns

Special coated inserts in the Tubbox® „straight-edged“ column formers allow the production of columns with square or rectangular cross sections.

The column form has chamfered edges as standard, special versions are available on request.



Tubbox® column formers – smooth finish

for circular columns

Use of a plastic insert in Tubbox® column formers creates a „smooth“ concrete surface with occasional blowholes.



Tubbox® column formers – spiral finish

for circular columns

Tubbox® „spiral“ column formers produce a concrete surface with a normal blowhole pattern and a slight impression of the helical structure of the pipe.

The column former is an economical and functional solution.



Tubbox® column formers – blowhole-free finish

for circular columns

In Tubbox® „blowhole-free“ column formers, the inserted Zemdrain® CPF liner ensures a largely blowhole-free surface and increases the surface hardness of the edge-concrete layer.

Overlap of the Zemdrain® liner is visible.



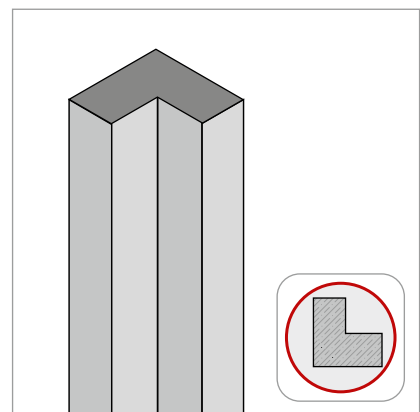
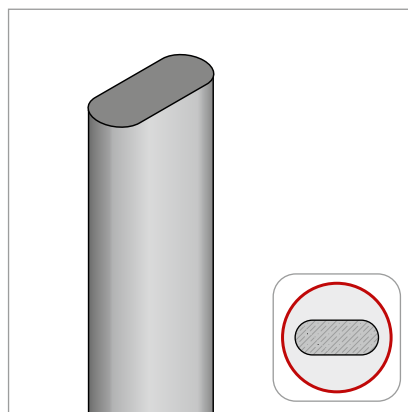
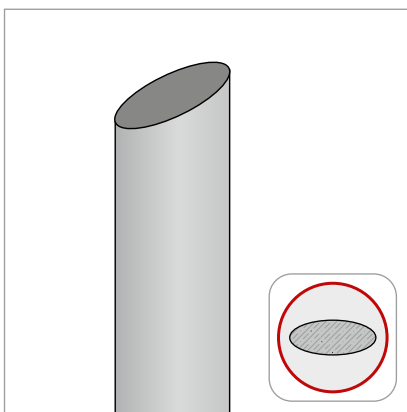
Tubbox® column formers – custom shapes

for individual cross-sections as well as conical and angled columns

In addition to round and rectangular concrete columns, Tubbox® column formers are available in a variety of special forms:

- custom cross sections, e.g. ellipses, polygons, L-shapes
- conical columns
- angled columns
- With integrated thermal insulation

Realization of individual requirements possible after technical approval.



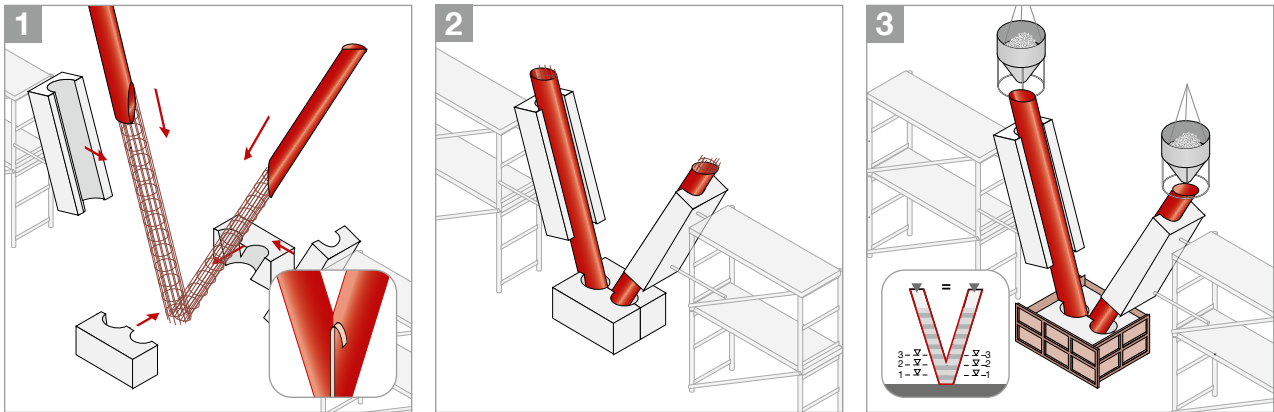
How to

Formwork for V-columns and inclined columns

V-columns or inclined columns are created as a special architectural design feature or according to specifications. The intersection is possible at the column head as well as at the base. With both variants, a neat finish is created with Tubbox® forming tubes.

Pre-assembled during the manufacturing process, and together with EPS fixings, Tubbox enable a fast and secure shuttering solution.

How to:

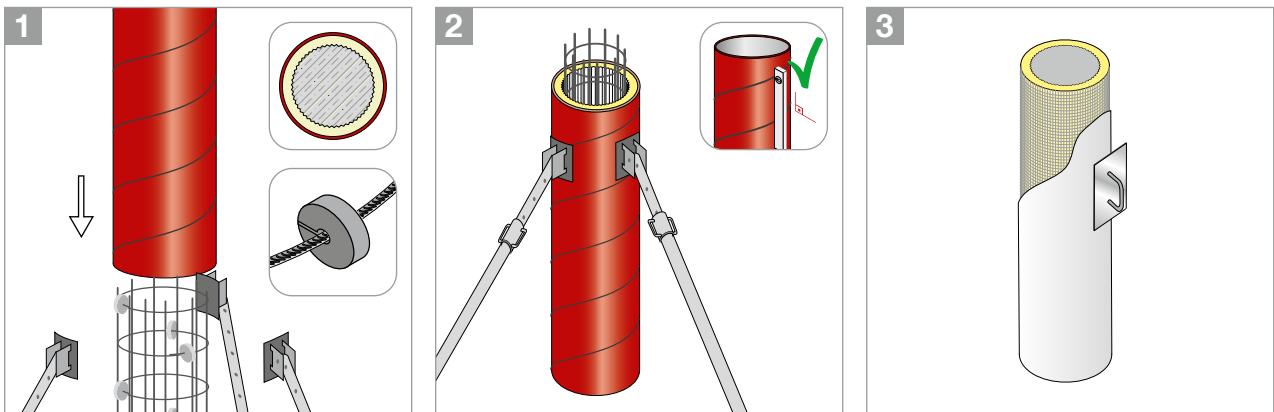


Insulating circular columns

Where insulation is required, it is often incorporated after concreting. For columns, this can be a complex task due to the geometry.

When using Tubbox column formers, the thermal insulation can be integrated during the manufacturing process. The insulation, made of extruded polystyrene, forms an optimal bond to the fresh concrete due to its shape.

How to:



VISIT OUR NEW WEBSITE

www.maxfrank.com

By using our new responsive webdesign, you will be led through the new MAX FRANK website and will conveniently be receiving all requested contents, despite which Smartphone you choose.

Our website offers both information regarding our products and a wide range of exceptional services. Therefore you will find interesting features that support you through every building phase.



MAX FRANK BUILDINGS

This welcomed tool has been integrated into the website and is now even better connected to the detailed product information. The virtual landscape has been expanded for several new building types and now offers a perfect product range to include hydropower plants, industrial warehouses and railway stations.



PRODUCT FINDER

Filter easily by the requested scope of applications and product properties and you will be led directly through to the appropriate products allowing any challenges you have, to be solved.



Max Frank GmbH & Co. KG

Mitterweg 1
94339 Leiblfling
Germany

Tel. +49 9427 189-0
Fax +49 9427 1588

info@maxfrank.com
www.maxfrank.com